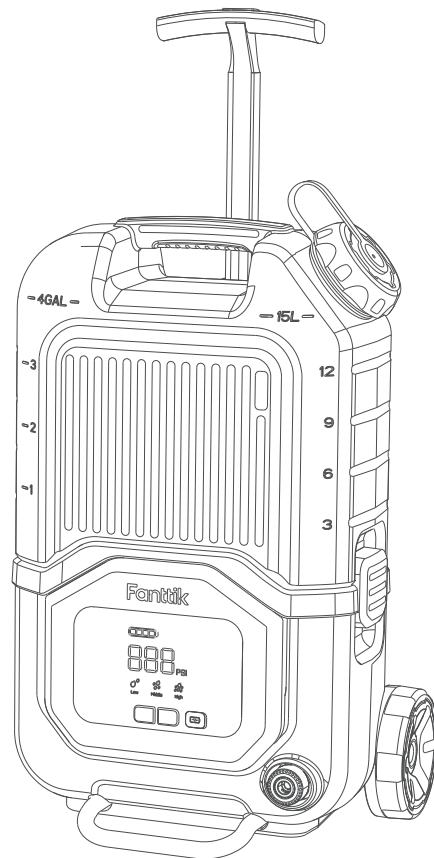


Fanttik

NBB ULTRA Pressure washer

User Manual

Read this manual carefully before use
and keep it for future reference.



Contents

1. SAFETY WARNINGS	02
2. PACKAGE CONTENTS	06
3. HOW TO USE	07
4. SPECIFICATIONS	09
5. OPERATION	14
6. CARE AND MAINTENANCE	14
7. TROUBLESHOOTING	15

1. Safety Warnings

 **WARNING: Read all safety warnings and instructions. Failure to follow the warnings and instructions may result in electric shock, fire and/or serious injury.**

- Please read and comply with these original instructions prior to the initial operation of your appliance and store them for later use or subsequent owners.
- Apart from the notes contained here in the general safety provisions and rules for the prevention of accidents of the legislator must be observed.
- Warnings and notes that are attached on the appliance provide important notes for the safe operation.

 **DANGER**

- All current-conducting parts in the working area must be protected against jet water.
- The user must be the washer as intended. The person must consider the local conditions and must pay attention to other persons in the vicinity when working with the washer.
- Check important components, such as high pressure hose, hand spray gun and safety installations, for damage prior to every operation. Immediately replace damaged components. Do not operate washer with damaged components.
- High-pressure jets can be dangerous if subject to misuse. The jet must not be directed at persons, live electrical equipment or the machine itself.
- Do not direct the jet against yourself or others in order to clean clothes or foot-wear.
- Do not use the washer within range of persons unless they wear protective clothing.

 **WARNING**

- Know how to stop the washer and bleed pressure quickly. Be thoroughly familiar with the controls.
- Stay alert- watch what you are doing

- Do not operate the washer when fatigued or under the influence of alcohol or drugs.
- The washer must not be operated by children or untrained personnel.
- This washer is not intended for use by persons (including children) with reduced physical, sensory or mental capacities, or lacking experience and knowledge.
- Children must not play with this appliance.
- Supervise children to prevent them from playing with the appliance.
- Create stability for the washer prior to any work on or with the washer to prevent accidents damage.
- The water jet that is emitted from the high pressure nozzle results in a repulsion power acting on the hand spray gun. Make sure that you have a firm footing and are also holding the hand spray gun and spray wand firmly.
- Never leave the washer unattended as long as it is in operation. Always switch off the mains disconnecting switch when leaving the washer unattended.

 **ATTENTION**

- Do not operate the washer at temperatures below 0°C

 **DANGER**

- The washer may not be operated in explosive atmospheres.
- Risk of explosion- Do not spray flammable liquids.
- Never draw in fluids containing solvents or undiluted acids and solvents! This includes petrol, paint thinner and heating oil. The spray mist is highly inflammable, explosive and poisonous. Do not use acetone, undiluted acids and solvents, as they corrode the materials used on the appliance.
- Never use the washer with inflammable or toxic liquids, or liquids with characteristics incompatible with its proper operation.
- Keep packaging films away from children, there is a risk of suffocation!

 **WARNING**

- According to applicable regulations, the washer must never be used on the drinking water net without a system separator. Ensure that the connection of your building water installation on which the washer is operated is equipped with a system separator pursuant
- Water that has flown through backflow preventers is considered to be non-potable.
- Do not overreach- Keep proper footing and balance at all times.
- To ensure applicable safety, use only original spare parts from the manufacturer or approved by the manufacturer.
- **WARNING** High pressure hoses, fittings and couplings are important for the safety of the machine. Use only hoses, fittings and couplings recommended by the manufacturer.

 **CAUTION**

- Mind the weight of the washer when selecting the storage location and during transport to prevent accidents or injuries.
- Several hours of continuous use of the appliance can lead to numbness in the hands in rare cases.
 - Wear gloves.
 - Keep hands warm.
 - Take breaks at regular intervals. Working with detergent

 **WARNING**

- The improper use of detergents can cause severe injuries or oxidation.
- Store cleaning agent and keep away from the reach of children.
- Discharge residual pressure before disconnecting the hose from the product.
- Check before each use , and at regular intervals, that all metal fasteners are tight and the washer's components are in good condition; Inspect for broken or worn parts.
- Store indoors- Never store the washer outdoors or where it could freeze.

CAUTION

- The charger is designed for indoor use only. Do not expose it to rain or snow.
- Store the charger in a cool and dry place when not in use
- Appliance is only to be used with the battery charger provided.
- This appliance can be used by children aged from 8 years and above and persons with reduced physical, sensory or mental capabilities or lack of experience and knowledge if they have been given supervision or instruction concerning use of the appliance in a safe way and understand the hazards involve.
- If the charger does not operation within 1 minute, disconnect the main then check it according to the instructions in Chapter “Trouble-shooting”.

Symbols on the washer



The high pressure jet must not be directed at persons, animals, live electrical equipment or at the appliance itself.



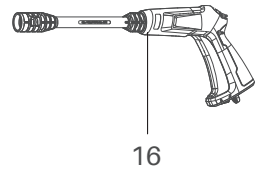
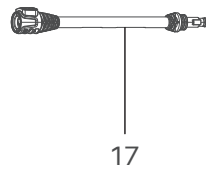
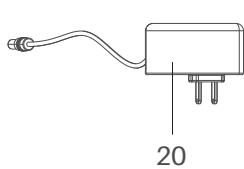
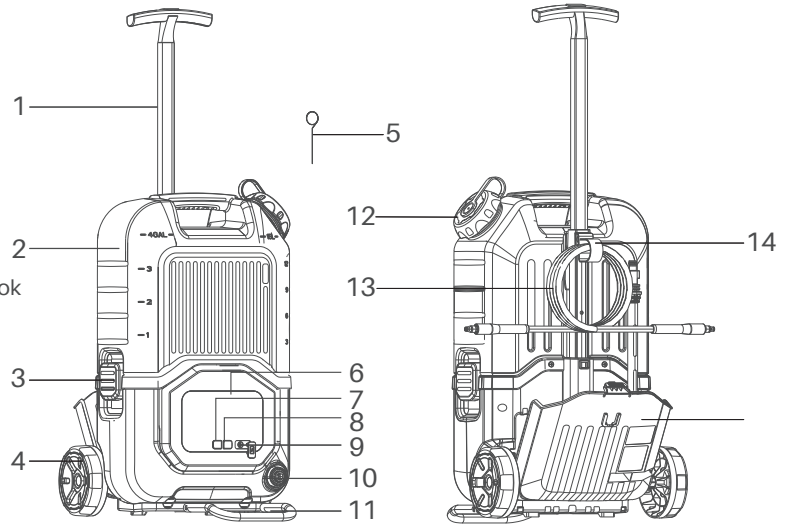
Do not expose the washer to rain or wet conditions.

This high pressure cleaner is designated to use of this product covers the cleaning of vehicles, terraces, tools, machines and garden equipment using clean water and biodegradable chemical detergents. This product may not be used to clean clothing, shoes and other textiles. The water jet should not be directed against persons. Animals, electronic equipment or the product itself. Do not flush any objects which contain health hazardous materials. The product must not be run with inflammable, explosive and toxic liquids. For safety reasons it is essential to read the entire instruction manual before first operation and to observe all the instructions there in.

Description of the Appliance

2. Package Contents

- | | |
|------------------------|-----------------------------|
| 1. Pull-rod | 11. Support bracket |
| 2. Tank | 12. Tanker cap |
| 3. Press buckle | 13. High pressure hose |
| 4. Wheel | 14. High pressure hose hook |
| 5. needle clean-out | 15. Accessory bin |
| 6. Display panel | 16. Trigger gun |
| 7. Power button | 17. Spray wand |
| 8. Washing mode button | 18. Turbo nozzle |
| 9. Charging port | 19. Detergent bottle |
| 10. Water outlet | 20. Charger |

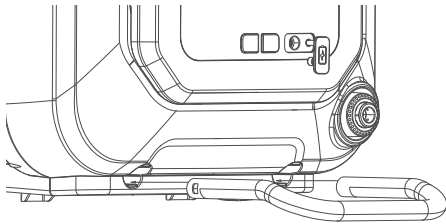


3. How to Use

Mount loose parts delivered with the washer prior to start-up

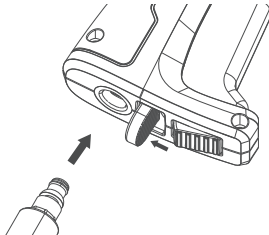
① Installing the support bracket

●Note: Pay attention to both sides of the support bracket, avoiding misdirection.



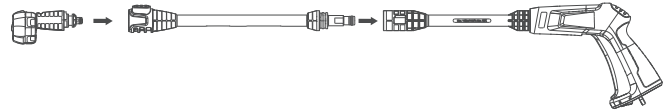
③ Connect the high pressure hose to the trigger gun

●Connect the quick-connect end of the high-pressure hose to the trigger gun. You will hear a click when it snaps into the place.



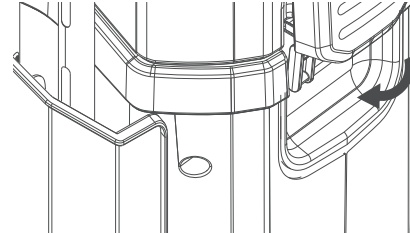
② Installing the spray wand

●Fit the spray wand into the gun and rotate it until the two parts are completely locked.



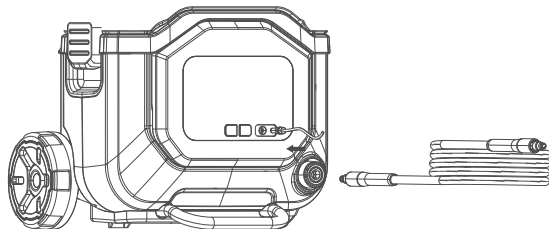
④ Installing the tank on the product

●Pull the buckle down to the body of product, then depress the buckle and fasten onto product, make sure the connection is secure.



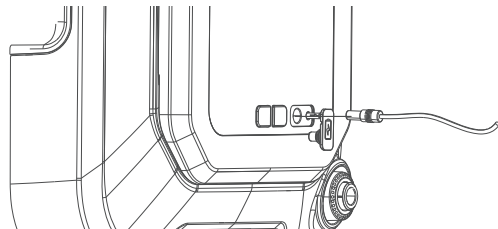
⑤ **Connect the high-pressure hose to the water outlet**

● Connect the quick-connect end of the high-pressure hose to the water outlet on the washer, press them hard, then you will hear a click when it snaps into the place.



⑥ **Connect the charger to the charging port of the washer.**

● Note: For use only with the charger recommended by the manufacturer, inappropriate charger can cause harm.



Start up

Turn on the washer by pressing the button on display panel, and operate the washer by pressing washing mode button to choose the appropriate mode.

- **Power button:** press for 2 seconds to turn on, press for 2 seconds to turn off.
- **Washing Mode :** strong-comfortable-energy saving-strong cycle, the default strong mode when starting; The corresponding display value of pressure in each mode.
- **DC port:** Built-in battery pack charging port, plug in the matching charger when charging.
- **Power display:**

Display the battery level when charging

0- 25% one light flashes

25%- 50% One light is normally on and one light flashes

50%-75%, two lights are always on, one light flashes

75%- 100% three lights are always on and one light is flashing

100% 4 lights is normally on
Display the battery level when discharging
75%-100% 4 lights is always on
50%-75% three lights is always on
25%-50% 2 lights is normally on
0-25% one lights is normally on
0 4 lights off

4. Operation

ATTENTION

Dry running of more than 2 minutes leads to damage of the high-pressure pump. If the appliance does not build up pressure within 2 minutes, switch the appliance off and proceed in accordance with the instructions in Chapter "Troubleshooting"

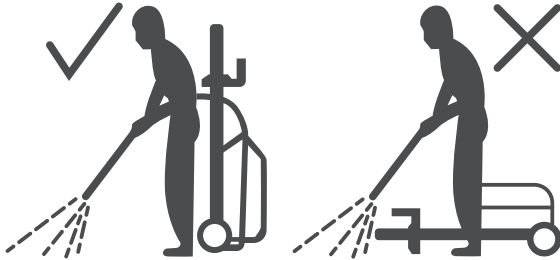
CAUTION

Keep a distance of at least 30 cm when using the jet for cleaning painted surfaces to avoid damage.

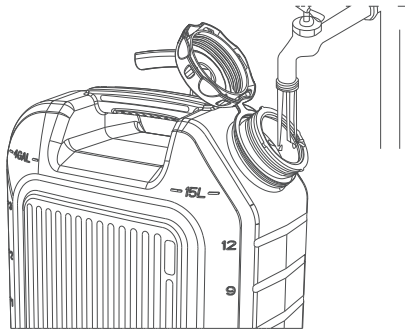


ATTENTION

- The washer must be used on a secure and stable surface in a standing, upright position



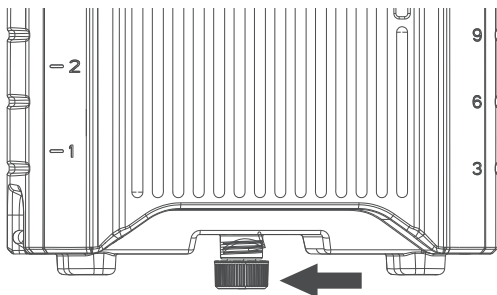
- Open the water supply, filling the tank.



Do not pour boiling liquids into the tank, which can weaken or damage the tubes or tank.
Do not use chemical liquids other than the detergent.

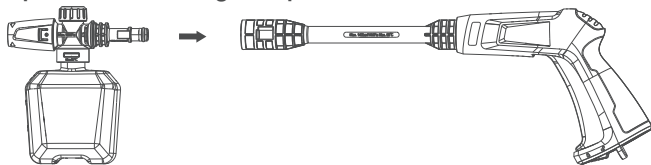
Carefully fill the water into the tank and up to 15L in case of any spills

NOTE: if there is any leakage, tighten the water-stop valve nut on the bottom of the tank.



- **Tighten the cap of the tank after filled.**
- Install the tank on the product and secure them.
- Hold the spray gun with both hands.
- Unlock the trigger and press it until a constant amount of water flows through the nozzle, to allow air trapped in the hose to escape.
- Release the lever of the trigger gun; the device will switch off again and stop the water jet. High pressure remains in the system.
- **WARNING!** Beware of kickback when pressing the trigger!

Operation with detergent (optional)



Detergent can only be added when the device is operated in low pressure mode.

Recommended cleaning method

- Spray the detergent sparingly on the dry surface and allow it to react, but not to dry.
- Spray off loosened dirt with the high pressure mist.

After operation with detergent

- When finished using the pressure washer, you must drain residual the detergent and rinse the tank with clean water.
- Factory of the high pressure cleaner is not responsible for the damage caused by detergent or any chemical agent.
- For storage, put the tank into the position with the cap.

Interrupting operation

- Release the lever of the trigger gun.
- Lock the lever of the trigger gun.
- Put the trigger gun with the spray wand into the parking position.
- During longer breaks (more than 5 minutes), release the trigger, then, press the button on power button on the panel.

Finish operation

- Release the lever of the trigger gun.
- Press the power button on the panel to turn the product off.
- Detach the high-pressure hose from the trigger gun or the device when there is no pressure in the system.
- Pressure the lever of the trigger gun to release any remaining pressure in the system.
- Release the lever of the trigger gun.
- Lock the lever of the trigger gun.



ATTENTION

- When disconnecting high pressure hose, warm water may leak from the connection after operation.
- Remove the tank from the product to drain out the residual liquid.

- Rinse the tank with clean water, then put the tank into the position with the cap.

Storing the appliance

- Park the washer on an even surface.
- Detach spray lance from the trigger gun, and detach the nozzle from the spray wand.
- Push the disconnect button on the trigger gun and pull the high-pressure hose out of the trigger gun.
- Place the trigger gun into the storage for the trigger gun.
- Put both nozzles into the storage for the nozzle.
- Coil the high-pressure hose and hang it over the hose storage.
- Prior to extended storage periods, as during the winter, also observe the instructions in the care section.
- Always store the washer, parts, and accessories in a place that is inaccessible to children. The ideal storage temperature is between 5 °C and 30 °C. Store the power washer indoors to prevent the water in the unit from expanding under freezing conditions.
- We recommend using the original package for storage or covering the product with a suitable cloth or enclosure to protect it against dust.

Frost protection



ATTENTION

Product and accessories that are not completely drained can be destroyed by frost.

Completely drain product and accessories and protect them against frost. To avoid damage:

- Store the product and the entire accessories in a frost free room.

5. Care and maintenance

High pressure hose

The high pressure hose is specially constructed with reinforced walls it can be easily damaged and should be stored carefully.

- Do not kink.
- Do not drive vehicles over the hose.
- Do not expose the hose to sharp edges or corners.
- Misuse will lead to ballooning or premature failure and will invalidate warranty.

6. Specifications

Voltage	40Vdc
Watt.	550W
High pressure	725PSI
Middle pressure	508PSI
Lower pressure	290PSI
Max. rate flow	1.0GPM
Max. inlet pressure:	0.7MPa
Capacity	40V 4Ah 160Wh

Charge Voltage	42V
Charge current	2.5A
Allowable charging temperature range	0°C - 45°C
Allowable discharging temperature range	-20°C - 60°C
Input	100-240VAC 50/60Hz
Output	42Vdc 2.38A
Weight	8Kg

7. Troubleshooting

Turn off the appliance and remove the main plug prior to performing any care and maintenance work. Repair work and work on the electrical components may not only be performed by an authorized customer service. You can rectify minor faults yourself with the help of the following overview. If in doubt, please consult the authorized customer service.

Symptom	Cause	Recommended action
Machine refuses to start	Battery is empty Battery is protected	Charging battery until green light. Press START button to check if the unit starts.
Fluctuating pressure	Pump sucking air Valves dirty, worn out or stuck Pump seals worn out	Check that hoses and connections are airtight. Clean and replace or refer to local distributor. Clean and replace or refer to local distributor.
Machine stops	Battery is empty Nozzle partially blocked	Recharge Clean the nozzle
Machine pulsating	Air in inlet hose Inadequate supply of mains water Nozzle partially blocked Water filter blocked Hose kinked	Allow machine to run with open trigger until regular working pressure resumes. Disconnect the high-pressure hose and the trigger. Check that the water supply corresponds to specifications required
Machine starts, but no water comes out	Pump/hoses or accessory frozen No water supply Water filter blocked Nozzle blocked	Wait for pump/hoses or accessory to thaw. Connect inlet water. Clean the filter Clean the nozzle

929-693-6066 MON-FRI 9AM-5PM (ET)

www.fanttik.com

support@fanttik.com

METASEE LLC

12 GREENWAY PLZ STE 1161A HOUSTON,

TX 77046-1203

Made in China

